



**RENDERTECH**

**AGENTS FOR  
CSE BLISS**

# CSE BLISS

**MANUFACTURING, LLC**



CSE Bliss Hammermills are designed to achieve optimum performance that lasts, even for the most demanding applications.

Our hammermills are manufactured using over 40 years of experience along with using customer suggestions that you can only get being directly in the industry.

CSE offers our hammermills in a variety of sizes, which allows us to meet any size reduction needs that our customers may have.

CSE prides itself on being able to offer the best quality and value of any other hammermill on the market today.

## KEY FEATURES

### Housings

- The housings are made of heavy duty 3/8"-1" A36 steel plate
- Reduced noise level
- The housing is made to remove rotor from the side without removing bearings from the shaft.
- Vibration Safety Switch

#### *Optional Features:*

- Directional Gate
- Vibrations Monitoring or Vibration sensor switch
- Dual Motor Base



### Bearings

CSE Bliss Hammermills come standard with Dodge Imperial Bearings. These bearings are two pieces that house a spherical roller bearing with a taper lock to secure the bearing to the shaft.

#### *Optional Features:*

- Bearing Temperature sensor

### Internal Wear Parts

- CSE Bliss has easy replacable wear plates to assure protection of the housing to give the hammermill a longer life.



## Doors

- Our hammermills have sliding doors that are made from 3/8" steel plate.
- The doors are on heavy duty rollers that allow the doors to slide with ease and convenience.
- Reduces foot print
- Gives the operator full access to the grinding chamber for easy maintenance.
- Safety switch

### *Optional Features:*

- Trapped key door safety interlock switches

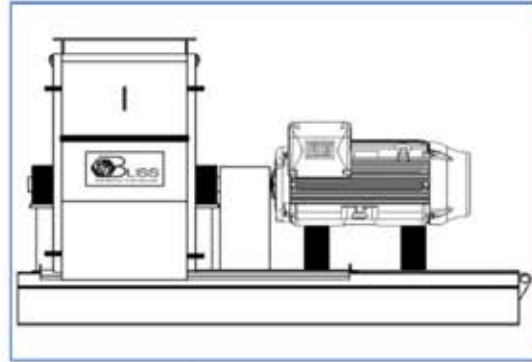
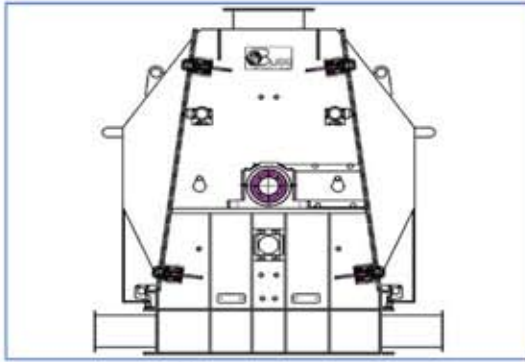
## Rotors

- Rotors are completely machined and assembled with spanner nuts.
- The rotor has dual positions for coarse and fine hammer positions.
- Rotors are precision balanced and tested with the hammermill at operating speed to break the bearings in and assure the vibration is in tolerance. This insures a problem free startup.

## Spring Loaded Screen Carriages

- Laser cut to hold precision fit to the wear plate
- These screens prevent any leakage
- Screens Carriages are made of 1/4" x 1 1/4" mild steel





Model#	DIAMETER	RPM	TIP SPEED	HP	SCREEN AREA
CSE1912HM	19"	3600	17,907 FPM	15-50	576 SQ/IN
CSE1915HM	19"	3600	17,907 FPM	20-60	720 SQ/IN
CSE2210HM	22"	3600	20,735 FPM	15-50	600 SQ/IN
CSE2215HM	22"	3600	20,735 FPM	30-75	870 SQ/IN
CSE3815HM	38"	1800	17,907 FPM	60-100	1500 SQ/IN
CSE3820HM	38"	1800	17,907 FPM	75-150	2000 SQ/IN
CSE3824HM	38"	1800	17,907 FPM	100-200	2400 SQ/IN
CSE3830HM	38"	1800	17,907 FPM	125-250	3000 SQ/IN
CSE3836HM	38"	1800	17,907 FPM	150-300	3600 SQ/IN
CSE3848HM	38"	1800	17,907 FPM	200-450	4800 SQ/IN
CSE3860HM	38"	1800	17,907 FPM	250-500	5760 SQ/IN
CSE4415HM	44"	1800	20,735 FPM	75-100	1800 SQ/IN
CSE4420HM	44"	1800	20,735 FPM	100-200	2400 SQ/IN
CSE4424HM	44"	1800	20,735 FPM	125-250	2880 SQ/IN
CSE4430HM	44"	1800	20,735 FPM	150-300	3600 SQ/IN
CSE4436HM	44"	1800	20,735 FPM	200-350	4320 SQ/IN
CSE4448HM	44"	1800	20,735 FPM	250-450	5760 SQ/IN
CSE4460HM	44"	1800	20,735 FPM	300-600	7200 SQ/IN

**RENDETECH**  
**YOUR**  
**PROCESS**  
**PARTNER**

We are specialists in process and storage solutions, providing the products and technical expertise to get the best from your plant. For more information call for a no obligation chat about your processing needs.

E enquiries@rendertech.co.nz  
T +64 9 634 5375

Rendertech Ltd  
8 Rakino Way, Mount Wellington,  
Auckland 1060, New Zealand  
PO Box 12629, Penrose,  
Auckland 1642, New Zealand

**RENDETECH.CO.NZ**