

RENDERING & PROTEIN RECOVERY

WASTE HEAT EVAPORATOR



RENDETECH





WASTE HEAT EVAPORATOR



RENDETECH

Rendertech evaporators, when used in rendering and fishmeal industries, maximise the return from raw materials, increase plant yields and eliminate a high-strength wastewater stream. Our Waste Heat Evaporator is a falling film-type evaporator operating under a vacuum. Simple and robust construction makes it very easy to operate and maintain.



SHELL AND TUBE CONSTRUCTION

Full stainless steel shell and tube construction means long life, reduced fouling, and easier and less frequent cleaning.

WASTE HEAT UTILISATION FOR ENERGY EFFICIENCY

The Evaporator is powered by waste energy – the vapour-rich mixture from a Contact Drier or equivalent – making it incredibly energy efficient.

FALLING FILM PRINCIPLE

Process liquor is pumped to the top of the evaporator tubes and distributed to the individual tubes. The liquor forms a thin film as it flows down the inside of the tubes. Vapour from the drier is ducted to the outside of the tubes and the heat is transferred to the liquor. The high liquor recirculation rates reduce fouling.

FREE HOT WATER

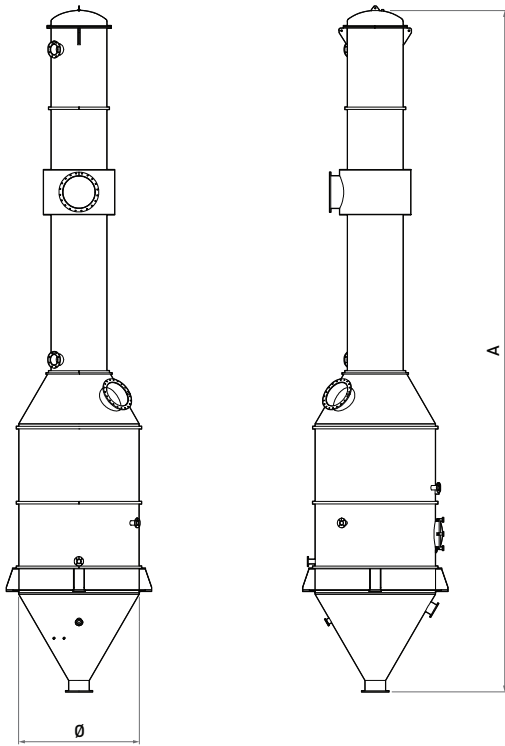
The vapour produced by evaporation is ducted to the Vacuum Condenser, where it can produce potable hot water up to 55°C.

MULTIPLE EFFECTS AND CUSTOMISED DESIGN

Evaporators can be supplied with one, two or three effects. The optimum selection will depend on the waste heat available and liquor to be concentrated. We can also provide Evaporators using the 'forced flash' principle where higher concentrations are required.

AUTOMATIC CONTROL

Automatic control and monitoring allows all operating adjustments at the control panel and minimises labour requirements.



	FF75	FF100	FF150	FF200	FF260	FF325	FF400	FF550
PRODUCT DIMENSIONS								
Dimension A (mm)	9,420	10,920	11,075	11,775	13,290	13,415	13,720	14,165
Diameter (mm)	1,700	1,700	2,000	2,300	2,400	2,600	2,800	3,200

OPTIONS

Multiple effects

CIP systems

Force flash stage

Structures, platforms, access ladders

Evaporative cooling towers

YOUR PROCESS PARTNER

We are specialists in process and storage solutions, providing the products and technical expertise to get the best from your plant. For more information call for a no obligation chat about your processing needs.

E enquiries@rendertech.co.nz
T +64 9 634 5375

Rendertech Ltd
2/110 Mays Road, Onehunga,
Auckland 1061, New Zealand
PO Box 12629, Penrose,
Auckland 1642, New Zealand

RENDETECH.CO.NZ