

RENDERING VESSEL

The Rendertech Rendering Vessel is designed to be used as a component of the Rendertech Centrifuge Dewatering System – a continuous low-temperature rendering process. While the steam coil provides indirect heat, the impellers provide intense mixing to ensure fast and efficient heating. All models are insulated for energy efficiency, and our larger models are fitted with an additional steam-heated jacket to maximise their heating capacity.



ODOUR CONTROL

The Rendering Vessel is fully enclosed to capture odours and vapours. It features a flanged nozzle for connection to the odour control system.

AUTOMATED CONTROL

Steam flow is automatically controlled and self-adjusting to meet changes in raw material throughput while maintaining the temperature set point.

REPLACEABLE IMPELLERS

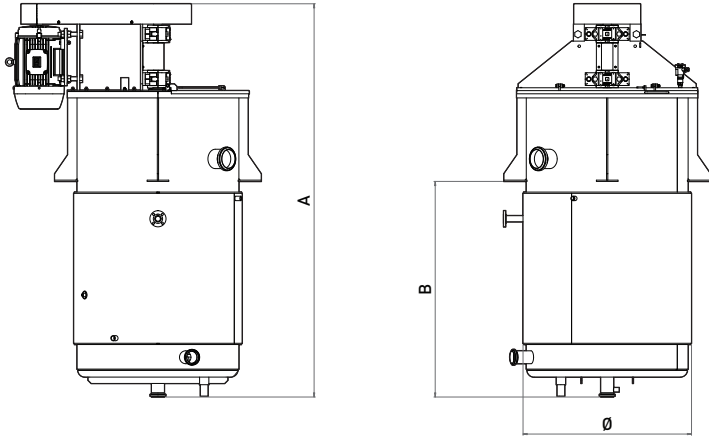
Impellers are a high-wear item for any Rendering Vessel, so our impellers are designed to be changed out easily and quickly for maximum plant efficiency.

ROBUST CONSTRUCTION

The Vessel is designed and built for a long life using industry-standard components. Stainless steel is used throughout.

SAFETY

All our Rendering Vessels are well insulated for heat efficiency and operator safety, and guarding prevents contact with moving parts.



	RV5	RV7	RV10	RV12
TECHNICAL SPECIFICATION				
Throughput (kgs/hr), up to	5,000	7,000	10,000	12,000
PRODUCT DIMENSIONS				
Dimension A (mm)	2,470	2,780	3,050	3,095
Dimension B (mm)	865	1,305	1,685	1,700
Diameter (mm)	905	905	1,120	1,275

- OPTIONS**
- Platform and support structures
 - Feed pumps
 - Control systems

YOUR PROCESS PARTNER

We are specialists in process and storage solutions, providing the products and technical expertise to get the best from your plant. For more information call for a no obligation chat about your processing needs.

E enquiries@rendertech.co.nz
T +64 9 634 5375

Rendertech Ltd
2/110 Mays Road, Onehunga,
Auckland 1061, New Zealand
PO Box 12629, Penrose,
Auckland 1642, New Zealand

RENDETECH.CO.NZ