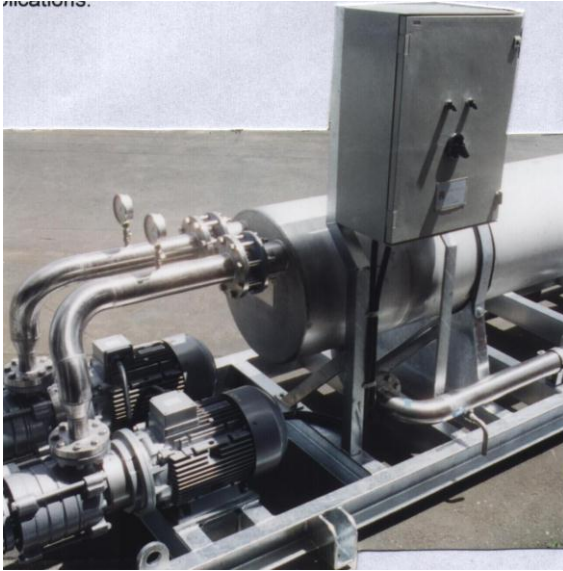


DISSOLVED AIR MODULE

PRODUCT DESCRIPTION



The **Rendertech** Dissolved Air Module (DAS) is an efficient, simple, compact, dissolved air generator for use with dissolved air flotation (DAF) systems for water and wastewater treatment. It is one of the 'modules' of the Rendertech dissolved air flotation system. The module can be incorporated in new plants or fitted as an upgrade to existing dissolved and dispersed air systems to improve their performance.

The DAS module is a revolutionary new development in dissolved air generation. It produces a 'super saturated' dissolved air solution that will enhance the performance of dissolved air flotation systems on all applications.

FEATURES

- Produces a true dissolved air solution with micro sized bubbles
- High saturation efficiency
- Ensures the maximum performance from the flotation plant
- No large bubbles to break sludge layer
- Simple to install
- Simple to operate
- Low maintenance and long life
- No air compressor required
- Low operating cost
- Compact.

CAPACITY

The DAS modules are available in a range of standard sizes from 1m³/h to 100m³/h of dissolved air solution. Larger modules can be designed to suit the application

APPLICATIONS

- With Rendertech dissolved air flotation systems
- As a dissolved air generator for a new dissolved air flotation tank
- To upgrade outdated dissolved air generation systems on existing DAF plants
- To upgrade the performance of existing dispersed air system
- To upgrade the performance of cavitation air flotation systems
- To upgrade the performance of grease traps.

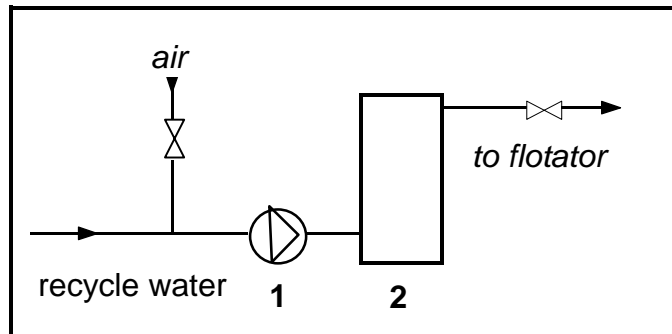
OPERATING PRINCIPLE

The heart of the system is the special purpose **multiphase pump (1)**. Recycle water is drawn into this pump along with atmospheric air. In the multiphase pump the special impeller design dissolves the air in the process water. The pump uses special construction techniques to ensure long pump life on the air/water mixture that would quickly damage a standard pump.

From the multiphase pump the dissolved air solution is piped to a **stabilisation tank (2)** and then to the flotation tank via a pressure release valve. On release of the pressure the dissolved air is released as clouds of micro bubbles within the flotator tank.

The DAS module is supplied prepiped with instruments and gauges necessary to ensure efficient operation.

Rendertech will provide technical advice to allow you to integrate a DAS module with your existing systems.



MODEL	CAPACITY
	m ³ /hr
DAS 1	0.5 – 1.5
DAS 3	1 – 3
DAS 15	7 – 15
DAS 25	2 – 25

MODEL	CAPACITY
	m ³ /hr
DAS 1	0.5 – 1.5
DAS 3	1 – 3
DAS 15	7 – 15
DAS 25	2 – 25

MODEL	CAPACITY
	m ³ /hr
DAS 1	0.5 – 1.5
DAS 3	1 – 3
DAS 15	7 – 15
DAS 25	2 – 25